

JEROS 8105

Utensil Washer

Smarter Thinking - Smarter Solutions



Small in size - Great in washing

Even in the smallest space the JEROS 8105 will give you a great wash result. Width of the machine is the same as a traditional dish washer, so a replacement is easily done.

The JEROS Utensil Washers have a unique lid construction and provide outstanding wash results in a very compact space. Due to the lid construction the space requirement for the machine is the same opened as closed. The lid construction also allows loading and emptying of the machine from 3 sides.



More advantages:

- ✓ Optimum accessibility because of the specially designed lid.
- ✓ A wash area that allows washing of 1 basket 60x40x41 cm or 6-10 trays (max 60x40 cm) in one wash cycle
- ✓ With automatic start.
- ✓ With fingertouch micro controller.
- ✓ Opening and closing system with gas springs.
- ✓ Integrated self-cleaning system with 85°C hot water.



There is a variety of reasons to choose a JEROS Utenstil Washer!

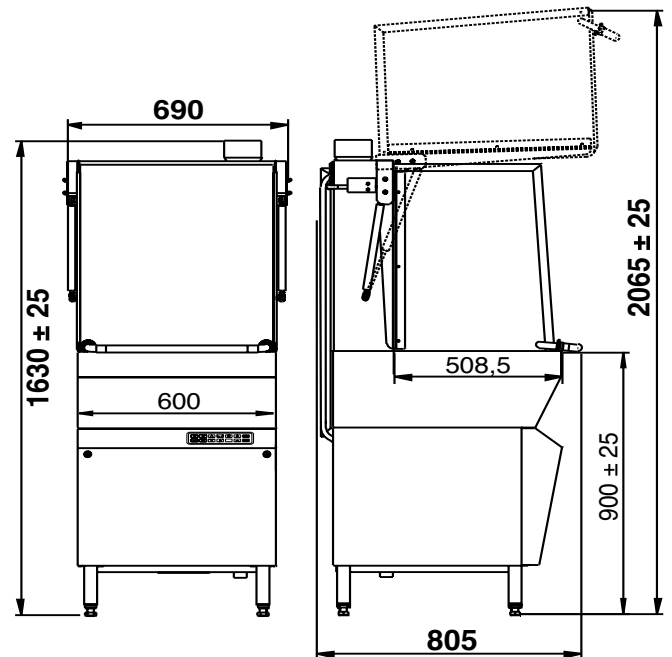


-  The robust stainless steel construction, established design, combined with more than 50 years of expertise, guarantees very high reliability.
-  The 85°C hot end rinse ensures that maximum hygiene is achieved.
-  Lid construction ensures an ergonomically correct loading of the machine.
-  Standard features: Adjustable wash time with 3 pre-set wash cycles programs of 2 / 4 / 6 minutes, automatic start, self-cleaning programme.
-  Operator control by fingertouch control panel.
-  No matter who: Bakery, Confectioner, Supermarket, Butcher, Restaurant, Food Industry, or, or, or..... JEROS offers a suitable washer for all requirements!.
-  Meets HACCP and CE-requirements.

Technical data

8105

Wash area	HxWxD	540x610x635
Capacity crates 60 x 40 cm	Per wash	1
Trays 60 x 40 cm	Per wash	10
40 L Bowl H 457 x Ø 514	Per wash	1
60 L Bowl H 411 x Ø 575	Per wash	1
Wash program	Min.	2 - 4 - 6
Wash tank volume	Litre	40
Rinse tank volume	Litre	13
Rinse time	apprx. sec.	20
Rinse water temperature	apprx. °C	85
Water consumption per wash/rinse	Litre	5
Voltage standard	Volt+E/Hz	400 / PE / 50
Connecting poser (standard)	KW	8
Dimension closed lid	HxWxD	1630x690x745
Dimension open lid	HxWxD	2065x690x745



JEROS A/S
Nyborgvej 8
DK-5750 Ringe

Tel: +45 6362 3913 www.jeros.com
Fax: +45 6262 3301 jeros@jeros.com

